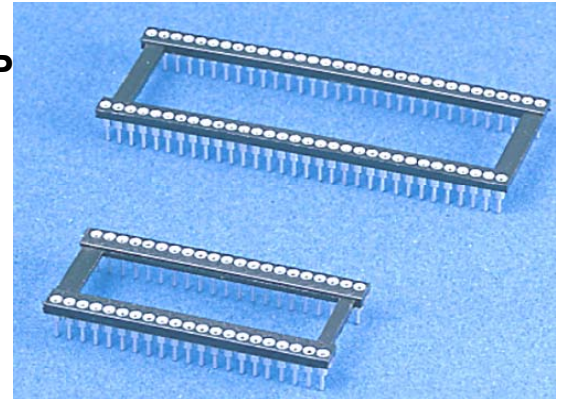
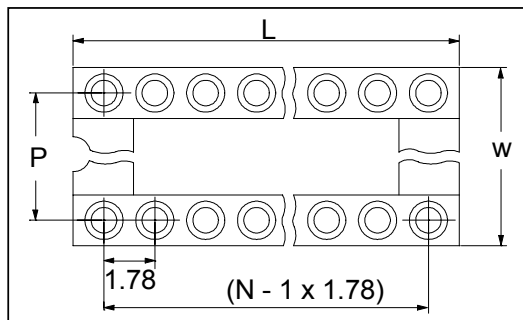


**Sockets SHRINK DIP  
0.070" (1.78 mm)  
4.45 mm Height  
above Board  
Machined Pins  
Tin Plated Sleeves**



Centre Distance	No. of Pin	Clip -5-7 micron Tin PART NUMBER	Clip Goldflash plated PART NUMBER	Clip 0.25 micron Gold PART NUMBER	Clip 0.75 micron Gold PART NUMBER
7.62 mm (0.300")	16	SPG-030-016-JA-11	SPG-030-016-JA-12	SPG-030-016-JA-15	SPG-030-016-JA-18
	20	SPG-030-020-JA-11	SPG-030-020-JA-12	SPG-030-020-JA-15	SPG-030-020-JA-18
10.16 mm (0.400")	28	SPG-040-028-JA-11	SPG-040-028-JA-12	SPG-040-028-JA-15	SPG-040-028-JA-18
	30	SPG-040-030-JA-11	SPG-040-030-JA-12	SPG-040-030-JA-15	SPG-040-030-JA-18
	32	SPG-040-032JA-11	SPG-040-032JA-12	SPG-040-032JA-15	SPG-040-032JA-18
	48	SPG-040-048-JA-11	SPG-040-048-JA-12	SPG-040-048-JA-15	SPG-040-048-JA-18
15.24 mm (0.600")	28	SPG-060-028-JA-11	SPG-060-028-JA-12	SPG-060-028-JA-15	SPG-060-028-JA-18
	40	SPG-060-032-JA-11	SPG-060-032-JA-12	SPG-060-032-JA-15	SPG-060-032-JA-18
	42	SPG-060-042-JA-11	SPG-060-042-JA-12	SPG-060-042-JA-15	SPG-060-042-JA-18
	48	SPG-060-048-JA-11	SPG-060-048-JA-12	SPG-060-048-JA-15	SPG-060-048-JA-18
	52	SPG-060-052-JA-11	SPG-060-052-JA-12	SPG-060-052-JA-15	SPG-060-052-JA-18
	64	SPG-060-064-JA-11	SPG-060-064-JA-12	SPG-060-064-JA-15	SPG-060-064-JA-18
0.750"	64	SPG-060-068-JA-11	SPG-060-068-JA-12	SPG-060-068-JA-15	SPG-060-068-JA-18
	64	SPG-075-064-JA-11	SPG-075-064-JA-12	SPG-075-064-JA-15	SPG-075-064-JA-18
0.900"	90	SPG-090-090-JA-11	SPG-090-090-JA-12	SPG-090-090-JA-15	SPG-090-090-JA-18



$$L = (N - 1) \times 1.78 + 2.08$$

$$W = P + 2.54$$

**Champion Electronics Pvt. Ltd.**  
**S-17 M.I.D.C. Bhosari, Pune 411026, India**  
**Phone : + (91) - (020) - 7122264/5**  
**Fax : + (91) - (20) - 7122267**  
**Email : champelec@vsnl.com**

Selection Guide