

**Socket TO Series  
Machined Pins  
Tin Plated Sleeves**

**How To Order Code  
SPR-XXX-XXX-JA-XX**

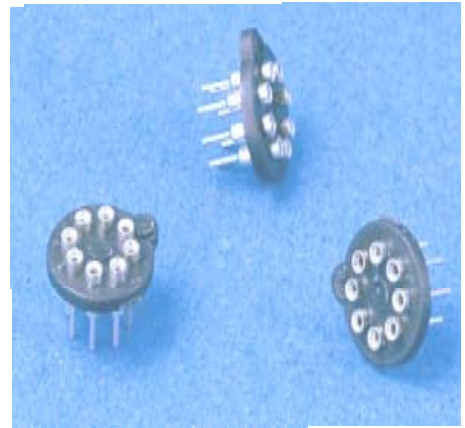
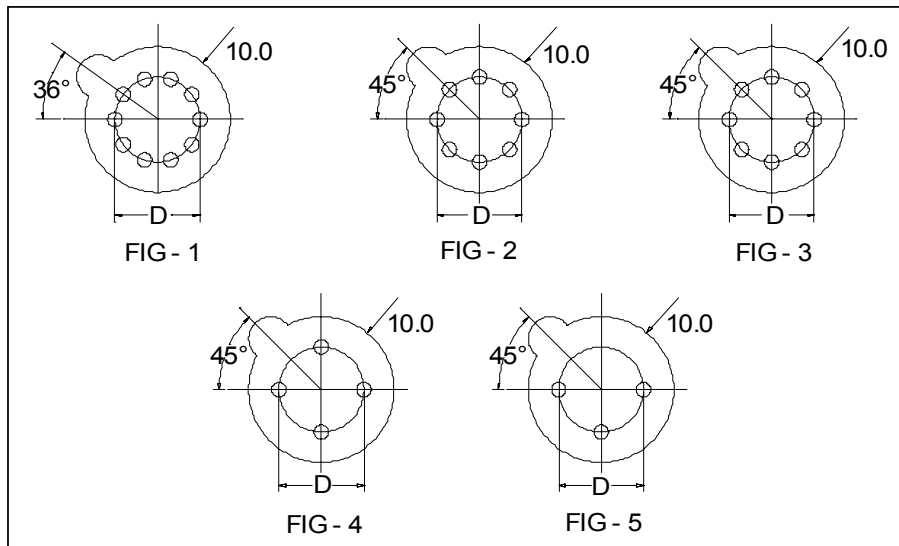


Fig. No.	Package	D (P.C.D.)	Pins	XXX-XXX
1	TO-5	5.84	10	584-010
2	TO-5	5.84	8	584-008
3	TO-5	5.08	8	508-008
4	TO-100	5.08	4	508-004
5	TO-100	5.08	5	508-003

Plating Code	Sleeve	Clip
11	Tin	Tin
12	Tin	Gold flash
15	Tin	0.25 micron gold
18	Tin	0.75 micron gold
58	0.25 micron gold	0.75 micron gold



**Champion Electronics Pvt.Ltd.**  
**S-17 M.I.D.C. Bhosari, Pune 411026, India**  
**Phone : + (91) - (20) - 7122264/5**  
**Fax : + (91) - (20) - 7122267**  
**Email : champelec@vsnl.com**

Selection Guide