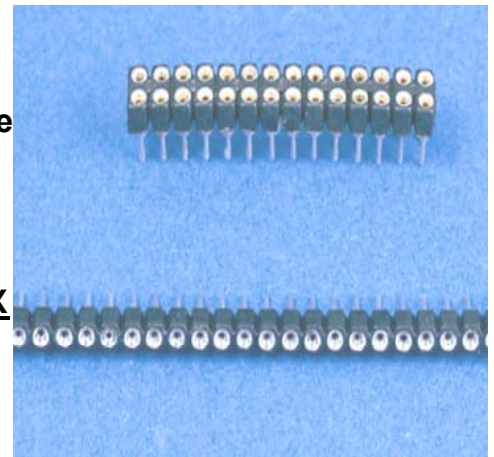


**Socket Strips Breakable
Machined Pins
Tin Plated Sleeves**

**How To Order Code
SPS-1BX-XXX-XX-XX**



X	No. of Rows	Fig. No.	No. of Pins
S	1	1	002 to 032
D	2	2	002 to 064

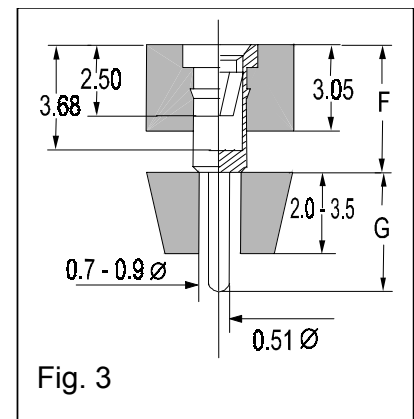
Plating Code	Sleeve	Clip
11	Tin	Tin
12	Tin	Gold flash
15	Tin	0.25 micron gold
18	Tin	0.75 micron gold
58	0.25 micron gold	0.75 micron gold

Elevated Height Above Board

Pin type	F(mm) (Fig. 3)	G(mm) (Fig. 3)
BC	4.45	2.92
BD	6.00	2.92
BE	7.80	2.92
BG	8.39	2.92
BH	9.00	2.92
BK	10.70	2.92
BL	11.00	2.92
BN	13.00	2.92
BP	14.00	2.92
BS	19.50	2.92
BT	20.50	2.92
BU	25.50	2.92
BV	29.50	2.92

For Multilayer Board

Pin Type	F(mm) (Fig. 3)	G(mm) (Fig. 3)
B3	4.45	3.65
B4	4.45	4.5
B5	4.45	5.7
B6	4.45	7.1



Champion Electronics Pvt. Ltd.
S-17 M.I.D.C. Bhosari, Pune 411026, India
Phone : + (91) - (020) - 7122264/5
Fax : + (91) - (20) - 7122267
Email : champelec@vsnl.com

Selection Guide